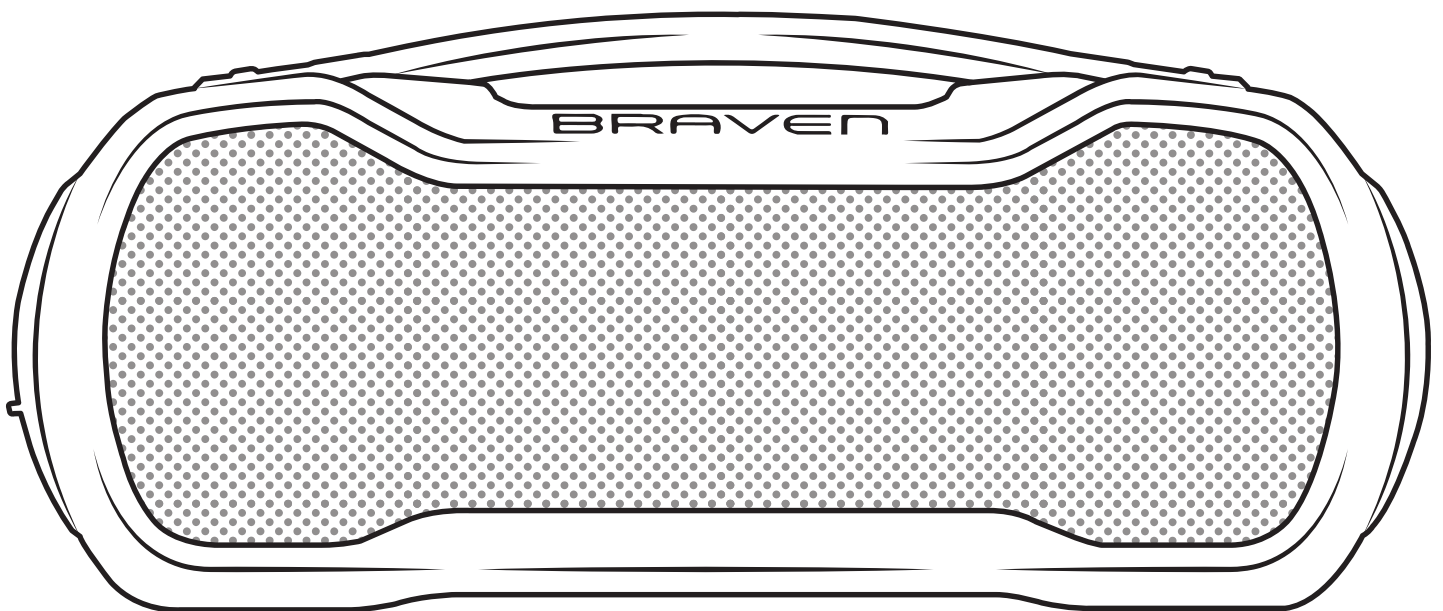


BRAVEN®

BRV-XXL/2

RUGGED PORTABLE SPEAKER



USER MANUAL

GET TO KNOW YOUR BRAVEN SPEAKER.

REGISTER YOUR BRAVEN SPEAKER

Your BRV-XXL/2 has a 2-year limited warranty in case the unimaginable happens. Visit www.zagg.com/BRAVEN and scroll down to the bottom, looking for "How to Register Your Product", and follow the instructions there.

IN THE BOX

BRV-XXL/2 speaker, carry strap, power adapter

Note: International versions include appropriate power cords.

POWER & BLUETOOTH PAIRING

1. Press the power button for 2-3 seconds to turn your BRV-XXL/2 on or off.
2. Toggle Bluetooth® on in your device settings. For further instruction on how to do so, please refer to the user manual included with your mobile device.
3. Your speaker will automatically enter pairing mode when first powered on.
 - i. Pair a second device by pressing and holding the Bluetooth button for 2-3 seconds until you hear "Bluetooth pairing" and see the light bar blink back and forth. Go to your device's Bluetooth settings and select "BRV-XXL /2" from the list.

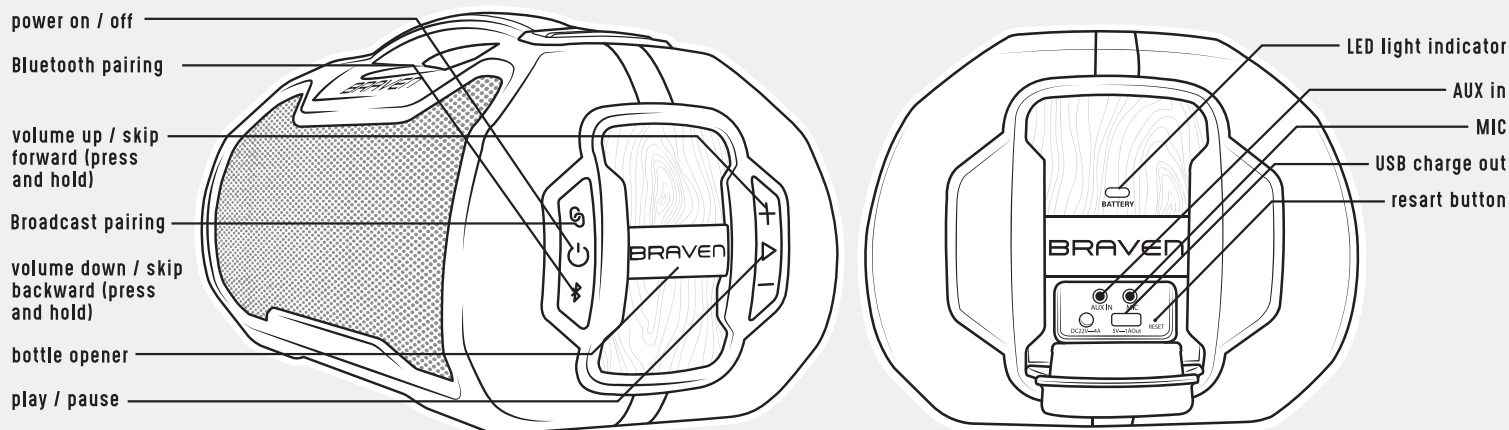
Your BRAVEN speaker will remember the last 8 devices it has paired with.

NOTE: If your BRAVEN speaker is left on with an inactive Bluetooth connection for 2 hours, it will automatically power off. Power your BRAVEN speaker on again by pressing and holding the power button for 2-3 seconds.

VOLUME & PLAYBACK CONTROL

Increase volume by quick pressing the "+" button or decrease volume by quick pressing the "-" button. An audio cue will indicate when you've reached max volume.

Skip to the next track by long pressing the "+" button or play the previous track by long pressing the "-" button.





CHARGING YOUR BRAVEN SPEAKER

Before using your BRV-XXL/2 for the first time, fully charge your speaker until the battery indicator light stays solid green.

Charge your BRV-XXL/2 by inserting the power adapter into the wall outlet. Next, plug the other end of the power cable into the charging port on the side of the speaker.

MONITORING BATTERY LEVEL: Use the Battery Status LED to monitor your speaker's battery level.

Red = 0 - 40%

Yellow = 41 - 70%

Green = 71 -100%

CHARGING EXTERNAL DEVICES

Your BRAVEN speaker can charge USB-enabled smartphones and tablets using the 0.3A-2.4A full-size USB port. To use external charging:

1. Turn your BRAVEN speaker on.
2. Plug your USB power cable into the USB port on the side of your BRAVEN speaker.
3. Insert the other end of the cable into your device to immediately begin charging.

SPEAKERPHONE

Press the play button on your BRAVEN speaker to answer and end calls over the speakerphone.

WATERPROOF FEATURES

The BRV-XXL/2 is IPX5 waterproof certified, designed to withstand heavy rainfall or splashing up to 30 minutes. **IMPORTANT:** Ensure your BRV-XXL/2 is prepared for use in a wet environment by removing all cable connections and tightly sealing the port cover. If the cover is not securely fastened, your BRAVEN speaker may sustain water damage.

RESETTING YOUR BRAVEN SPEAKER

Reset your BRV-XXL/2 to its original factory settings by pressing the reset button under the back cover for 8 - 10 seconds.

VOLUME / BASS / TREBLE CONTROL

With your BRV-XXL/2 powered on, quick press the power button to toggle between volume, treble, and bass modes. A corresponding LED will indicate which mode you are on.

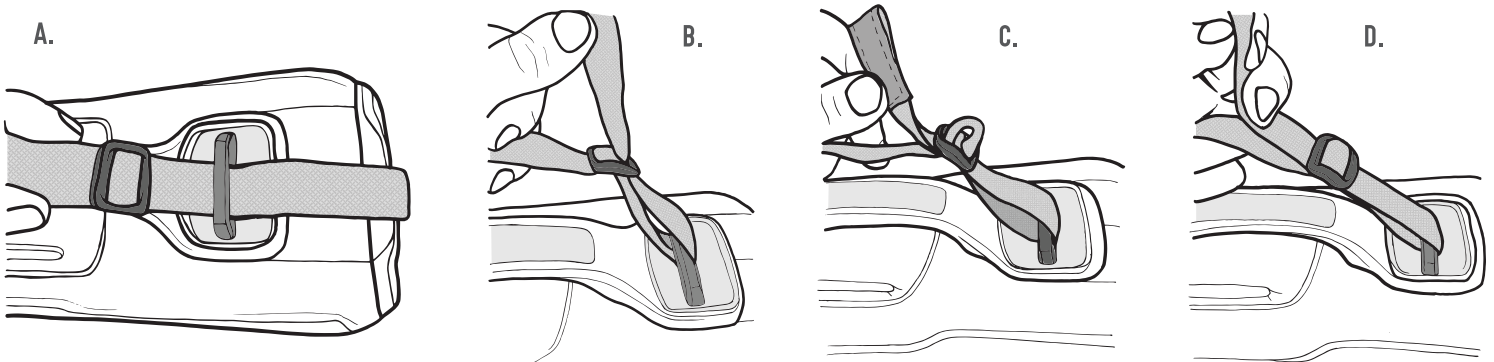
Press the "+" to increase the volume / bass / treble level.

Press the "-" to decrease the volume / bass / treble level.



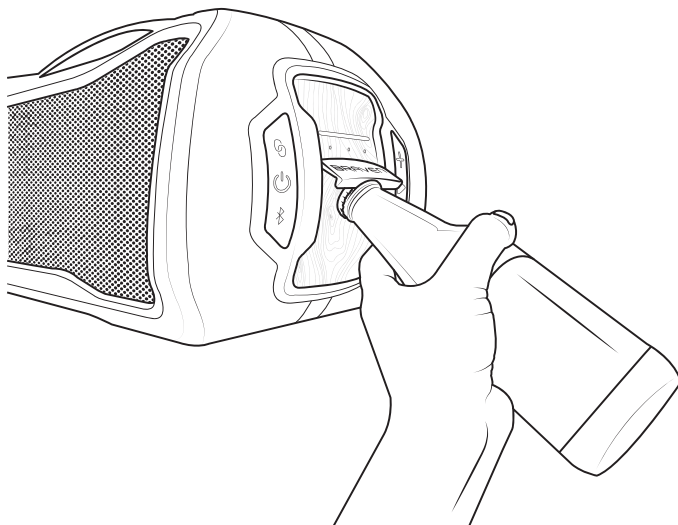
CARRY STRAP INSTRUCTIONS

1. Loop each end of the strap through your speaker's tie - down bars.
2. Weave the strap back through the buckle attached to the strap.
3. Slide buckle to adjust.



USING THE BUILT-IN BOTTLE OPENER

1. *First ensure the side of the XXL/2 with the buttons is on the edge of a table or counter.*
2. *On the side of the XXL/2 with the buttons, locate the metal BRAVEN logo and pull the bottom out to expose the bottle opener*
3. *Place the cap of the bottle so it catches the back edge of the bottle opener and push bottle towards the speaker*





BROADCAST PAIRING

Broadcast pairing allows you to wirelessly pair up to 100 BRV-XXL/2 speakers. Follow the steps below to manually pair multiple BRV-XXL/2 units together:

1. Turn on all speakers.
2. Connect primary speaker to your device by Bluetooth pairing.

Note: If your speaker is already connected to your device, skip this step.

- i) Ensure your phone's Bluetooth is turned on.
 - ii) Long press the Bluetooth button on the speaker, you will hear an audio confirmation.
 - iii) Select "BRV-XXL/2" on your device.
 - iv) You will hear another sound to confirm connection.
3. On primary speaker, long press the broadcast button until you hear a beep and you see the light bar move from LEFT to RIGHT. The primary speaker will search for 30 seconds.
 4. On the secondary speaker, quick press the broadcast button, you will hear a beep and see the light bar move from RIGHT to LEFT.
 5. Repeat step 4 for each additional speaker you wish to connect to the primary speaker.
 6. Enjoy your tunes.

Notes: The distance between your device and the primary speaker will work up to 200 feet in a direct line of sight. Secondary speakers will optimally work up to 50-60 feet away from the primary speaker.

Primary speaker: Pressing play / pause / volume up / volume down / power off will apply the same function to ALL speakers in the group.

Secondary speaker: Pressing volume up / volume down / power off will apply the function to only that speaker. Play / pause are disabled.

To disconnect from the group, quick press the broadcast button on a secondary speaker, put it into Bluetooth pairing, or simply power it off.

STILL HAVING TROUBLE? WE'RE HERE FOR YOU!

Visit www.zagg.com/braven and scroll down to the Support section for FAQ's and to contact customer service.

WARNINGS, CAUTION & LEGAL INFORMATION

To reduce the risk of fire or electric shock, do not expose the BRAVEN to rain or moisture while charging. The BRAVEN should not be exposed to dripping or splashing, and objects filled with liquids, such as vases, should not be placed on or near it while being charged or charging other devices. As with any electronic products, use care not to spill liquids into any part of the product. Liquids can cause a failure and/or a fire hazard. The power supply must be used indoors only. Make no modifications to the product or accessories. Unauthorized alterations may compromise safety, regulatory compliance, and system performance, and will void the warranty. Do not place any flame sources, such as lighted candles, on or near the BRAVEN. The BRAVEN contains small parts that may be a choking hazard and is not suitable for children under age 3. Do not continue charging the battery if it does not reach full charge within the specified charging time. Overcharging may cause the battery to become hot, rupture, or ignite. If you see any heat deformation or leakage, properly dispose of the battery. Do not attempt to charge the battery in temperatures outside the range of 32°-104°F (0°-40°C). If the battery begins to leak, do not allow the liquid to come in contact with your skin or eyes. If contact has been made, wash the affected area with plenty of water and seek medical attention immediately. Do not expose the product or battery to excessive heat, including direct sunlight or fire and storage or use inside cars in hot weather, where it can be exposed to temperatures in excess of 115°F (60°C). Doing so may cause the battery and power supply to generate heat, rupture, or ignite. Using the product in this manner also may result in a loss of performance and a shortened life expectancy. Extended exposure to direct sunlight may damage the external appearance and material qualities. Do not step on, throw, or drop batteries or the power supply or device, or expose them to a strong shock. Do not pierce, crush, dent, or deform the batteries or power supply in any way. If either becomes deformed, properly dispose of it. Do not short-circuit batteries. Do not attempt to service the BRAVEN yourself. Opening or removing covers may expose you to dangerous voltages or other hazards and will void the manufacturer's warranty. To prevent risk of fire or electric shock, avoid overloading wall outlets, extension cords, or integral convenience receptacles. Your Bluetooth device (mobile phone, music player, tablet, laptop, etc.) must support the A2DP Bluetooth profile in order to work wirelessly with your new BRAVEN speaker. The A2DP profile is supported by most recent mobile products with built-in Bluetooth capability. Please refer to your device's user manual for details and instruction regarding the Bluetooth profiles it supports. This device complies with part 15 of the FCC Rules. Operation is subject to the following two conditions: (1) This device may not cause harmful interference, and (2) this device must accept any interference received, including interference that may cause undesired operation.

NOTE: This equipment has been tested and found to comply with the limits for a Class B digital device, pursuant to part 15 of the FCC Rules. These limits are designed to provide reasonable protection against harmful interference in a residential installation. This equipment generates, uses and can radiate radio frequency energy and, if not installed and used in accordance with the instructions, may cause harmful interference to radio communications. However, there is no guarantee that interference will not occur in a particular installation. If this equipment does cause harmful interference to radio or television reception, which can be determined by turning the equipment off and on, the user is encouraged to try to correct the interference by one or more of the following measures:

- Reorient or relocate the receiving antenna.
- Increase the separation between the equipment and receiver.
- Connect the equipment into an outlet on a circuit different from that to which the receiver is connected.
- Consult the dealer or an experienced radio/ TV technician for help.

CAUTION: Any changes or modifications not expressly approved by the party responsible for compliance could void the user's authority to operate the equipment.

FCC RADIATION EXPOSURE STATEMENT: This device complies with FCC radiation exposure limits set forth for an uncontrolled environment. The device has been evaluated to meet the general RF exposure requirement. The device can be used in portable exposure conditions without restriction." "This device complies with Industry Canada license-exempt RSS standard(s). Operation is subject to the following two conditions: (1) this device may not cause interference, and (2) this device must accept any interference, including interference that may cause undesired operation of the device. Under Industry

Canada regulations, this radio transmitter may only operate using an antenna of a type and maximum (or lesser) gain approved for the transmitter by Industry Canada. To reduce potential radio interference to other users, the antenna type and its gain should be so chosen that the equivalent isotropically radiated power (e.i.r.p.) is not more than that necessary for successful communication. The device has been evaluated to meet general RF exposure requirement. The device can be used in portable exposure condition without restriction. This Class B digital apparatus complies with Canadian ICES-003.

Lithium Battery installed is not intended to be replaced by the USER.

CAUTION: Danger of explosion if battery is incorrectly replaced. Replace only with the same or equivalent type.

Where the MAINS plug is used as the disconnect device, the disconnect device shall remain readily operable.

The device meets the exemption from the routine evaluation limits in section 2.5 of RSS 102 and compliance with RSS-102 RF exposure, users can obtain Canadian information on RF exposure and compliance.



Correct Disposal of this product. This marking indicates that this product should not be disposed with other household wastes throughout the EU. To prevent possible harm to the environment or human health from uncontrolled waste disposal, recycle it responsibly to promote the sustainable reuse of material resources. To return your used device, please use the return and collection systems or contact the retailer where the product was purchased.



This product complies with California Energy Commission efficiency standards for consumer battery chargers.

Operating Frequency Band: 2402 MHz to 2480 MHz Maximum RF power: 6dBm EIRP



Braven hereby declares that this device is in compliance with Radio Equipment Directive 2014/53/EU. The full text of the EU DoC is available at the following: <https://www.braven.com/eu-declaration-of-conformity>.

Braven follows Safety Instruction for CE-LV. Do not operate products in temperatures outside the range of -5 - 40°C.

Do not install this equipment in a confined or building-in space such as a book case or similar unit, and remain a well ventilation conditions. The ventilation should not be impeded by covering the ventilation openings with items such as newspaper, table- cloths, curtains etc.

WARNING: To reduce the risk of fire or electric shock, do not expose this apparatus to rain or moisture. The apparatus shall not be exposed to dripping or splashing and that objects filled with liquids, such as vases, shall not be placed on apparatus.

WARNING: The power adapter is used as disconnect device, the disconnect device shall remain readily operable.

WARNING: Please refer the information on exterior bottom enclosure for electrical and safety information before installing or operating the apparatus. CAUTION: Danger of explosion if battery is incorrectly replaced. Replace only with the same or equivalent type. The battery (battery or batteries of battery pack) shall not be exposed to excessive heat such as sunshine, fire or the like.

Article 10

2. Manufacturers shall ensure that radio equipment shall be so constructed that it can be operated in at least one Member State without infringing applicable requirements on the use of radio spectrum.

10. In cases of restrictions on putting into service or of requirements for authorization of use, information available on the packaging shall allow the identification of the Member States or the geographical area within a Member State where restrictions on putting into service or requirements for authorization of use exist. The Commission may adopt implementing acts specifying how to present that information. Those implementing acts shall be adopted in accordance with the advisory procedure referred to in Article 45(2).